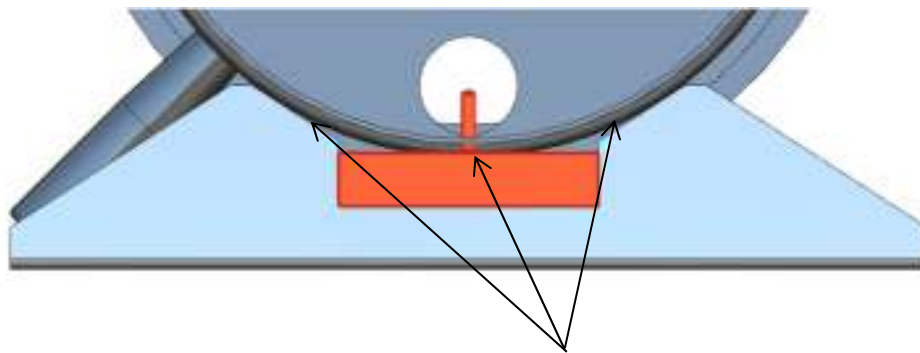


teg

Heat Exchange Plate - Redesign

Original Plate

Current Setup:

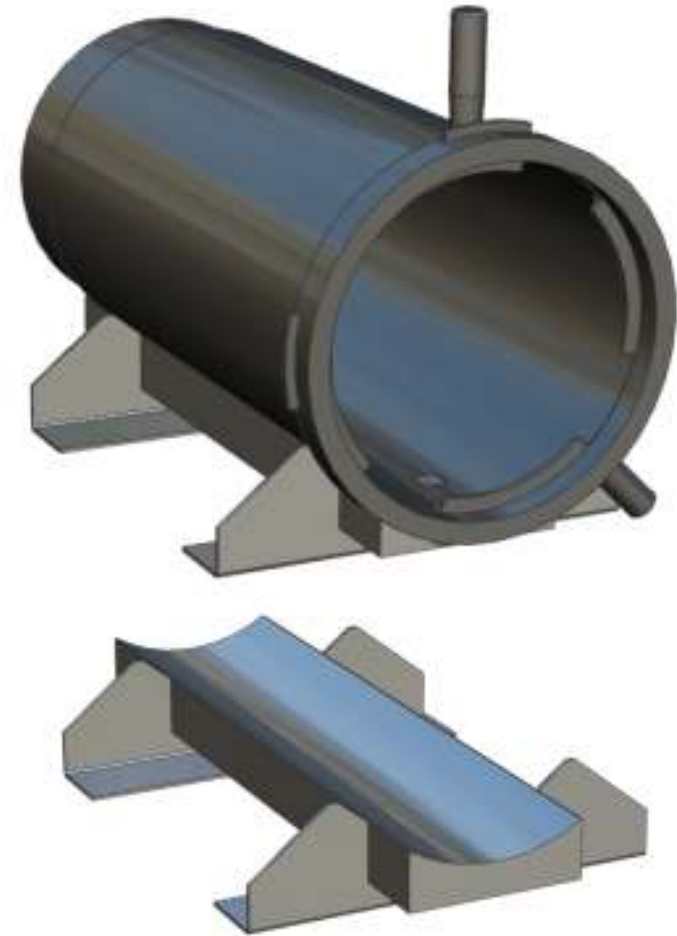
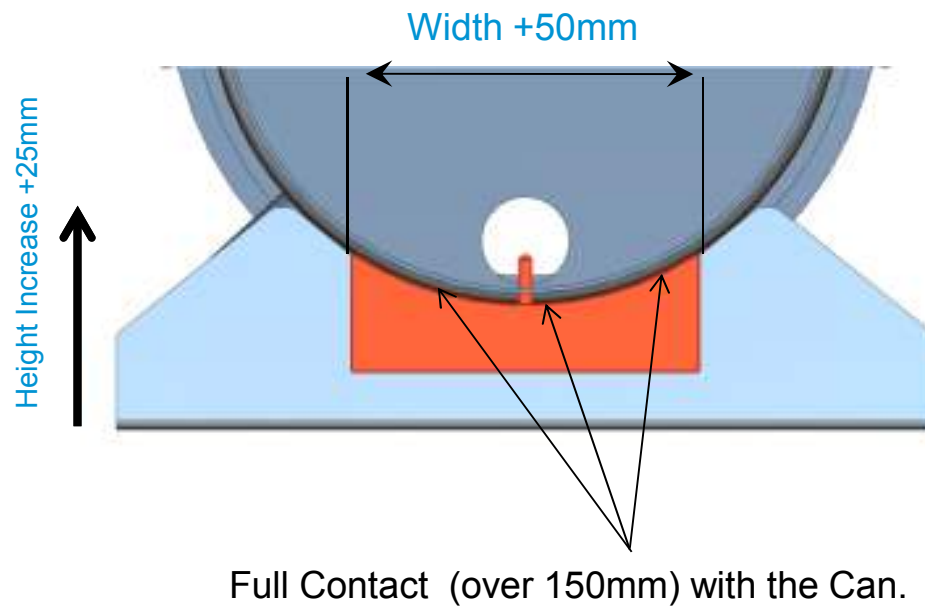


Minimum Contact with the Can.



Proposed Plate

Proposed Setup:



Benefits of New Design

- By Increasing the Volume of the Heat Exchange plate it will hold its heat longer and help evaporate off the condensate
- By Profiling the Heat Exchange Plate we are increasing the heat conduction across a larger area